

STM

**COMPONENTES
HIDRÁULICOS**

Minicentrales



HIDRÁULICA ROGIMAR, S.A.

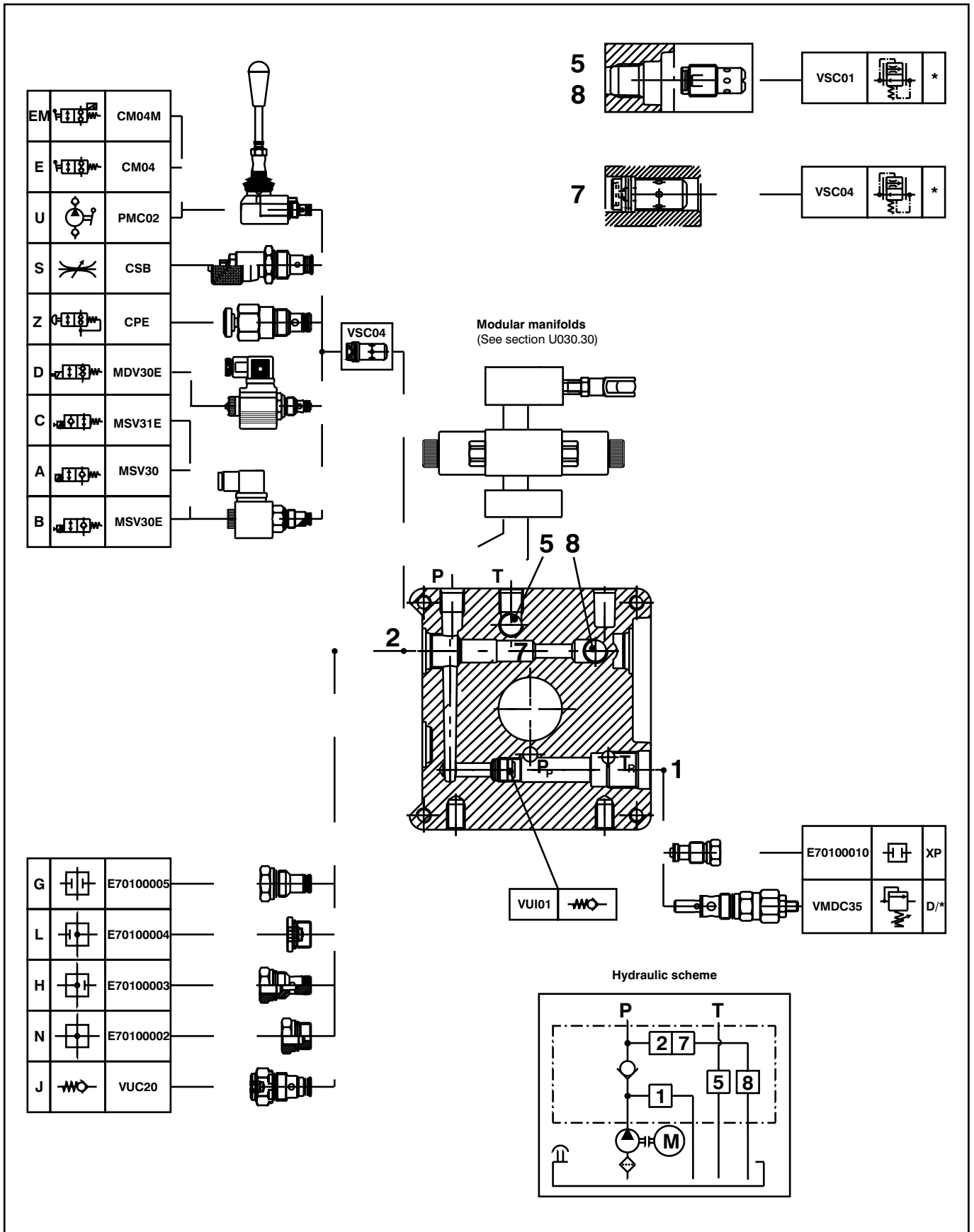
Ctra. Cornellà, 23-25 (desp. 2)
08950 Esplugues de Llobregat
BARCELONA

Tel. 00 34 / 93 473 57 70
Fax 00 34 / 93 473 71 23
www.hidraulicarogimar.com
comercial@hidraulicarogimar.com

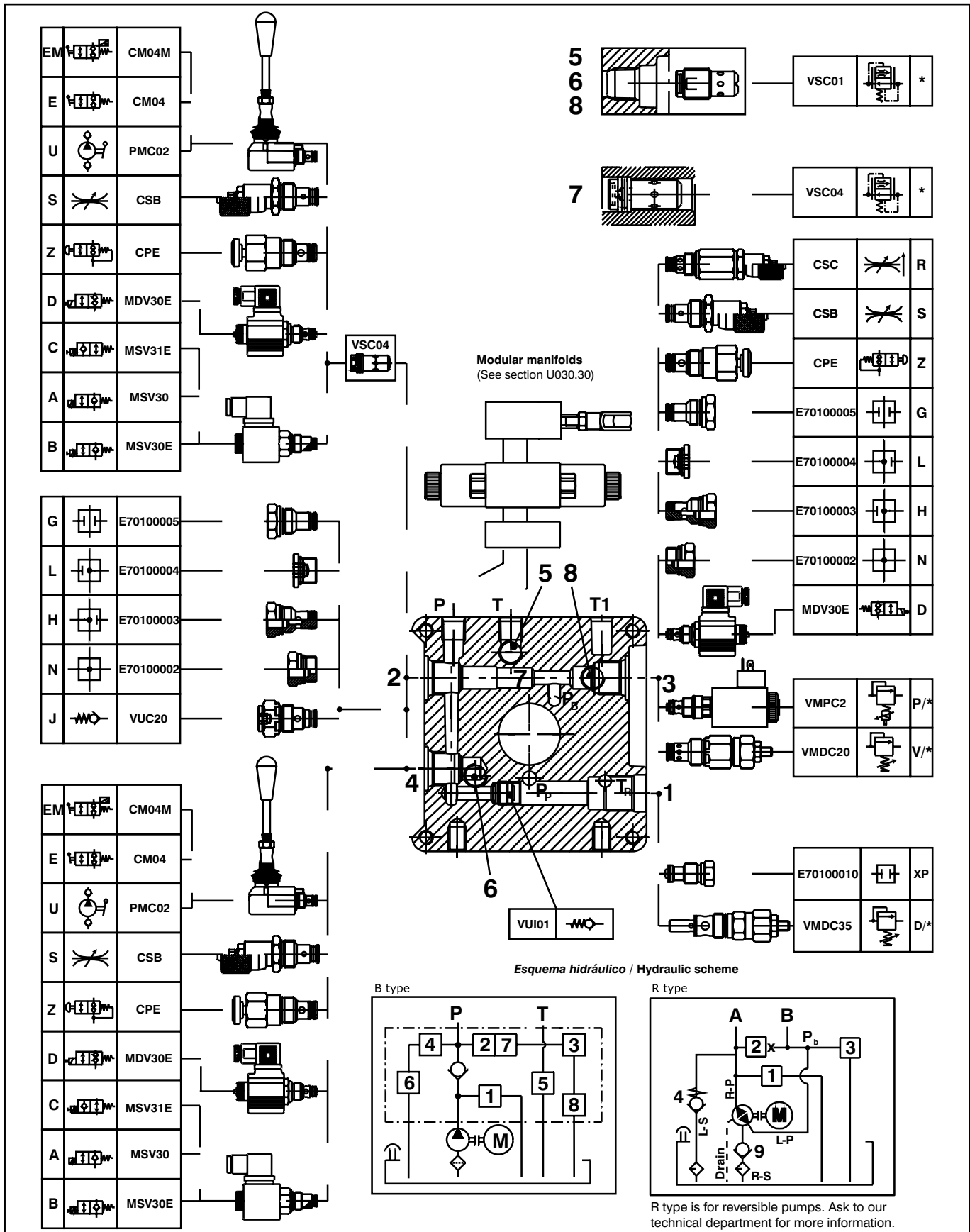
GUÍA RÁPIDA PARA EL USO DEL CATÁLOGO

PRODUCTOS	Página
BLOQUES CENTRALES	
Bloque central tipo "A"	1
Bloque central tipo "B" y "R"	2
Dimensiones bloques centrales	3
KITS ACOPLAMIENTO	
Kit acoplamiento brida 71	4
Kit acoplamiento brida 80	5
Kit acoplamiento brida 90	6
MOTORES CC	
Motores C continua 800w Ø80	7
Motores C continua 1600w y 2200w Ø112	8
DEPÓSITOS	
Depósitos cilíndricos acero	9
Depósitos rectangulares acero	10-11
Depósitos rectangulares plástico	12
FORMULARIO PEDIDO	13

Bloque central tipo "A" / Central manifold "A" type assembly

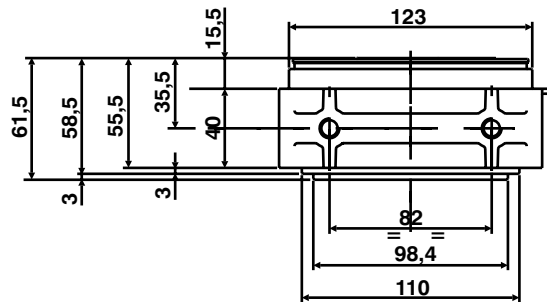


Bloque central tipo "B" y "R" / Central manifold "B" and "R" type assembly

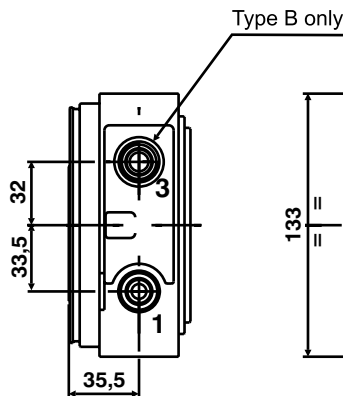


Dimensiones bloques centrales / Central manifolds overall dimensions

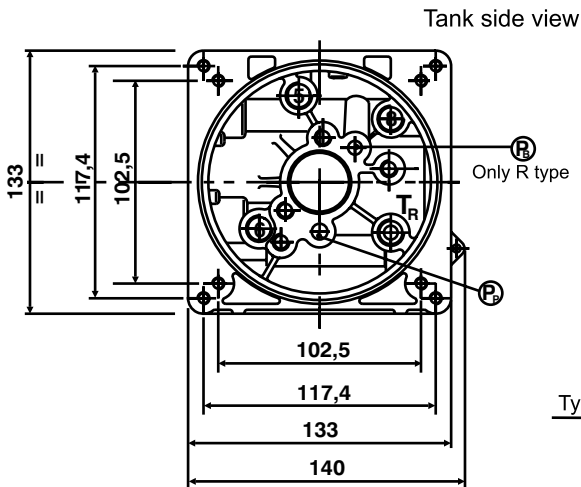
Type	Spare part code
A	CET E60103020
B	CET E60103021
R	CET E60103023



Weight: 1,08 kg

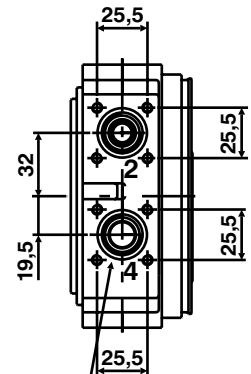


Type B only

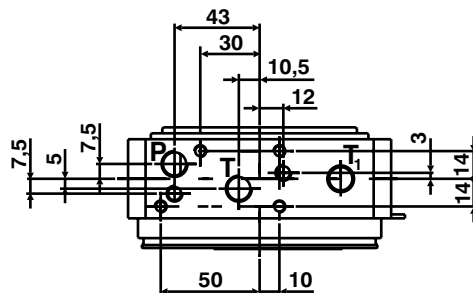


Tank side view

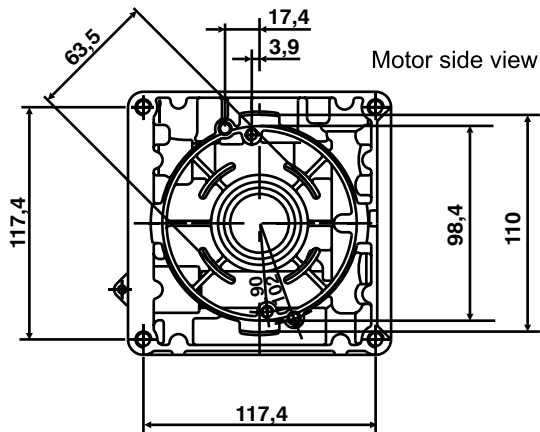
Only R type



Type B only



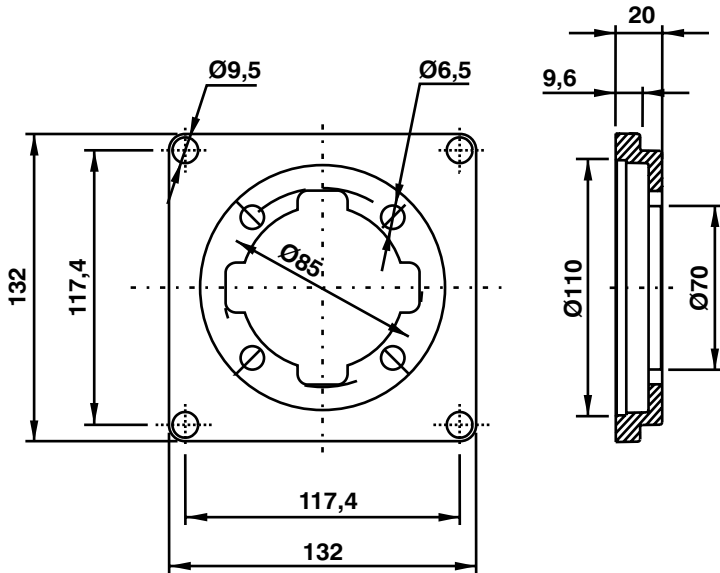
Cavidad/Cavity	Roscas/Threads
1	1/4" BSPP (check valve) M20 x 1.5 (relief valve)
2,3,4	3/4-16 UNF
P-T	1/4" BSPP
T _R	1/4" BSPP
5,6,8	1/4" BSPP
External manifold attachments	2 x M8 4 x M6
Tanks attachments	4 x M6
AC Motors attachments	4 x M8
DC Motors attachments	2 x M6
Pump attachments	2 x M8
Foot mounting support attachments	2 x M10



Motor side view

Kit acoplamiento brida 71 / Mounting kit for frame 71 B14 motors

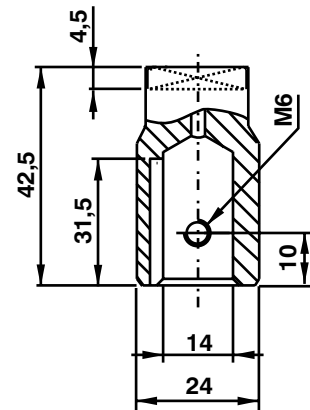
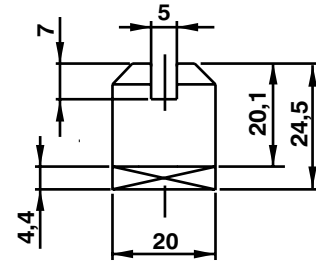
Brida motor / Adaptor flange



Weight: 0,18 Kg

Acoplamiento / Coupling

Lado bomba / Pump side

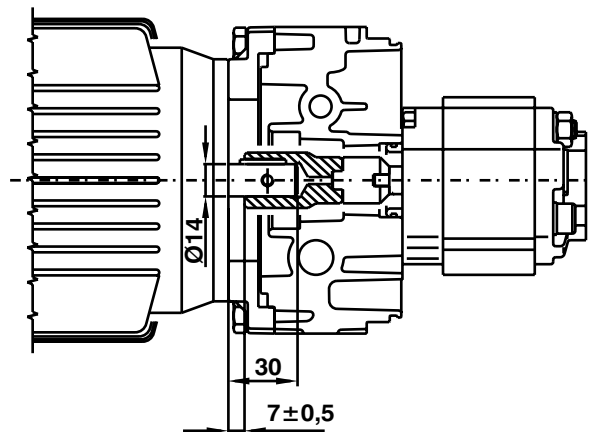


Lado motor / Motor side

Descripción / Description	Código / Code
B14 71 motor side semi-coupling	CET E36100001
B14 pump side semi-coupling	CET E36100000
B14 71 adaptor flange	CET F27010001

* Note: the coupling+ flange kit is already included when specifying a B14 motor in PPC assembly code. XB14-71 code to be indicated only when ordering PPC with no motor but with coupling + flange kit.

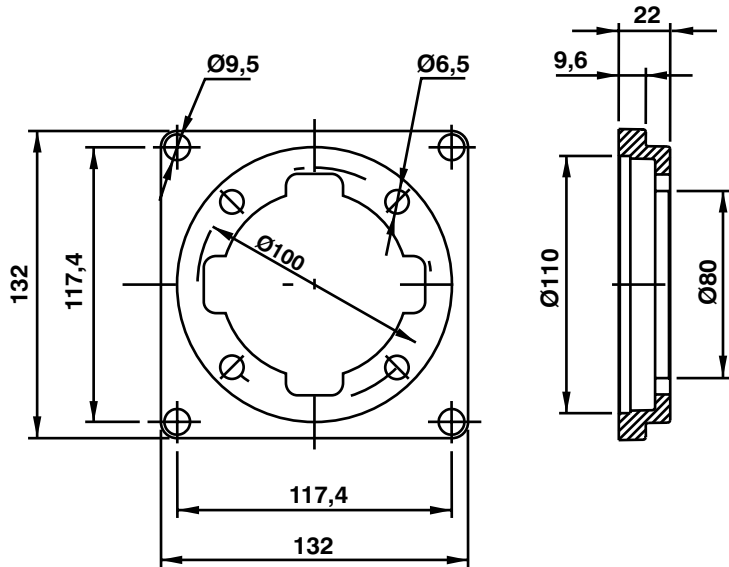
When assembling frame 71 B14 motors with X-B14 flange + couplings kit, please respect following positioning measures:



Kit weight: 0,5 Kg

Kit acoplamiento brida 80 / Mounting kit for frame 80 B14 motors

Brida motor / Adaptor flange



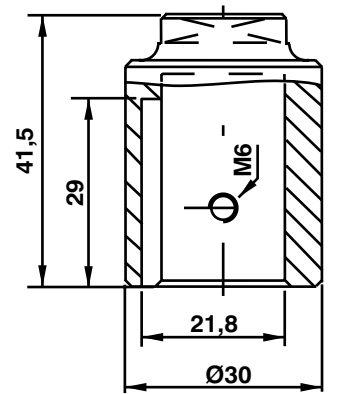
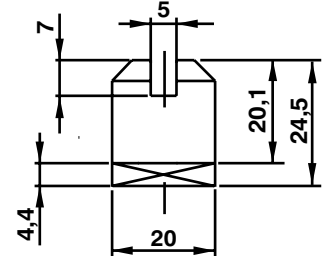
Weight: 0,21 Kg

Descripción / Description	Código / Code
B14 80 motor side semi-coupling	CET E36100002
B14 pump side semi-coupling	CET E36100000
B14 80 adaptor flange	CET F27010002

* Note: the coupling+ flange kit is already included when specifying a B14 motor in PPC assembly code. XB14-80 code to be indicated only when ordering PPC with no motor but with coupling + flange kit.

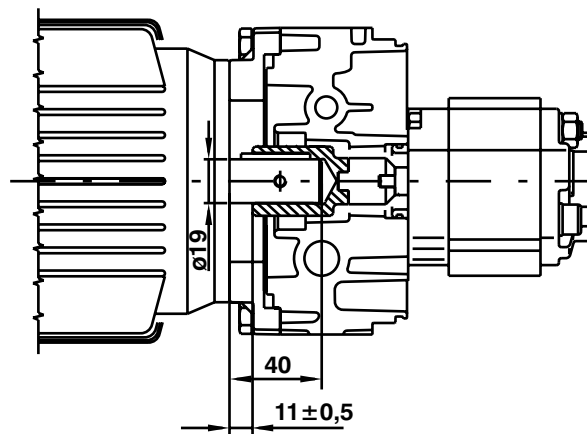
Acoplamiento / Coupling

Lado bomba / Pump side



Lado motor / Motor side

When assembling frame 80 B14 motors with X-B14 flange + couplings kit, please respect following positioning measures:



Kit weight: 0,35 Kg

Kit acoplamiento brida 90 / Mounting kit for frame 90 B14 motors

Brida motor / Adaptor flange

Weight: 0,35 Kg

Descripción / Description	Código / Code
B14 90 motor side semi-coupling	CET E36100003
B14 pump side semi-coupling	CET E36100000
B14 90 adaptor flange	CET F27010003

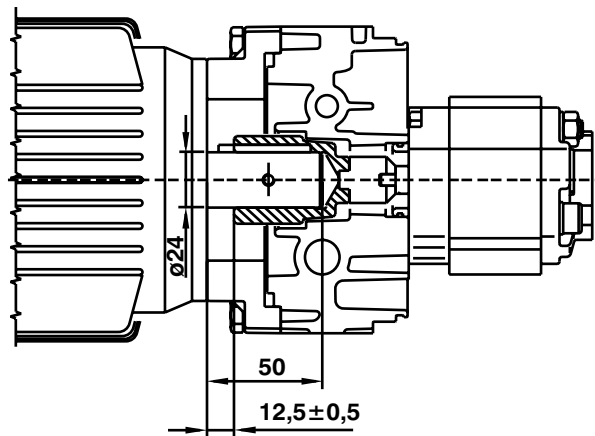
* Note: the coupling+ flange kit is already included when specifying a B14 motor in PPC assembly code. XB14-90 code to be indicated only when ordering PPC with no motor but with coupling + flange kit.

Acoplamiento / Coupling

Lado bomba / Pump side

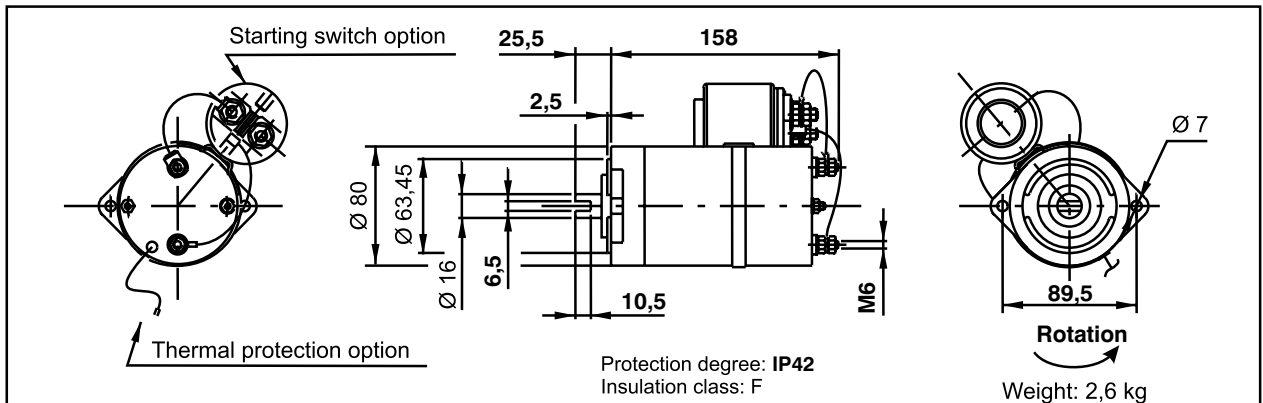
Lado motor / Motor side

When assembling frame 90 B14 motors with X-B14 flange + couplings kit, please respect following positioning measures:



Kit weight: 0,55 Kg

Motores C continua / Integral DC motors Ø 80



Código / Code

Descripción / Description	Código/Code	Nominal duty cycle	Nominal rotational speed
800W 12 V DC motor		S2: 4min S3: 10% ED	
800W 24 V DC motor		S2: 4min S3: 10% ED	
800W 48 V DC motor		S2: 4min S3: 10% ED	
800W 12DC motor with thermal protection	ME2003	S2: 4min S3: 10% ED	
800W 24DC motor with thermal protection	ME2004	S2: 4min S3: 10% ED	
800W 48DC motor with thermal protection		S2: 4min S3: 10% ED	

Opciones / Options

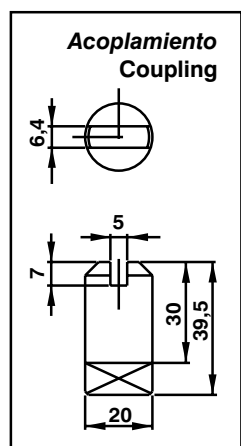
Descripción / Description	Código/Code
Starting switch 150A 12 or 24 V DC	ME2103 (12 V DC) ME2104 (24V DC)
Remote control available on request	

Note: the starting switch electric connection is provided when specifying the /S in PPC assembly code. It is not supplied when ordering spare starting switches.
P02.1*: specify wire connection lenght in meter when ordering.

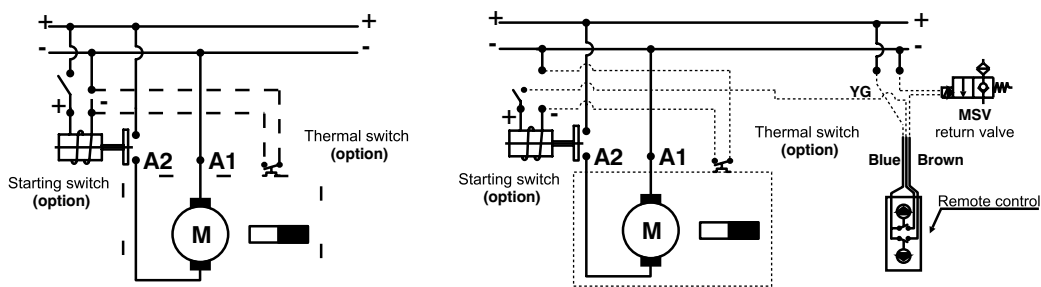
Acoplamiento / Coupling

Descripción / Description	Código/Code
Shaft coupling for Ø 80 DC motors	CET E36200002

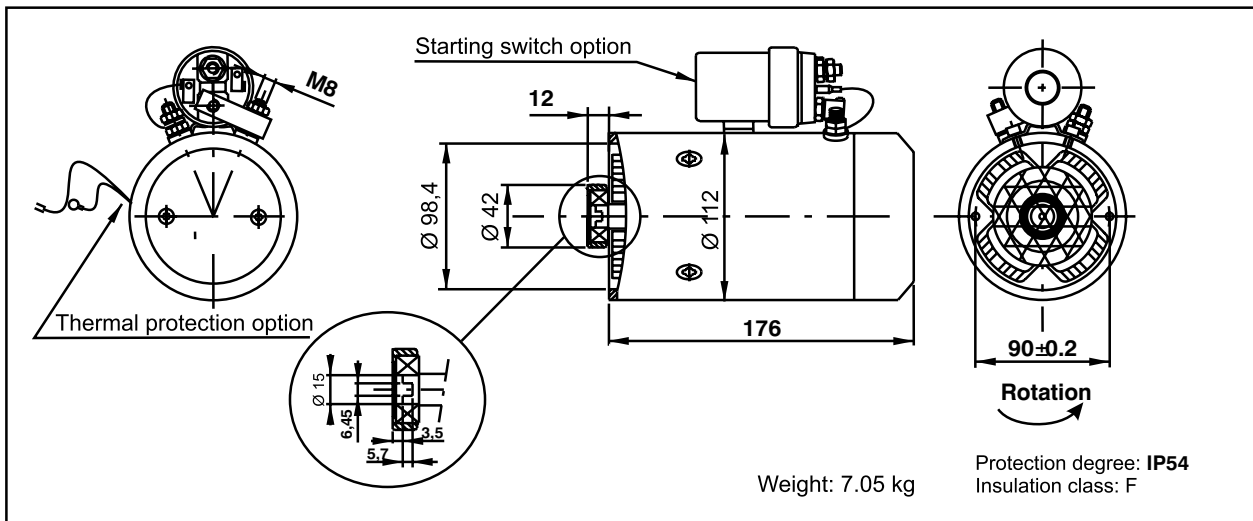
Note: the coupling is already included when specifying the motor in PPC assembly code.
X80 to be indicated only when ordering PPC with no motor but with coupling.



Esquema conexión eléctrica / Electric connection schemes



Motores C continua / Integral DC motors Ø 112



Código / Code

Descripción / Description	código/code	Nominal duty cycle	Nominal rotational speed
1600W 12 V DC motor		S2: 2min S3: 7,5% ED	
2200W 24 V DC motor		S2: 1,2min S3: 4,5% ED	
1600W 12 V DC motor with thermal protection	ME2005	S2: 2min S3: 7,5% ED	
2200W 24 V DC motor with thermal protection	ME2006	S2: 1,2min S3: 4,5% ED	

Opciones / Options

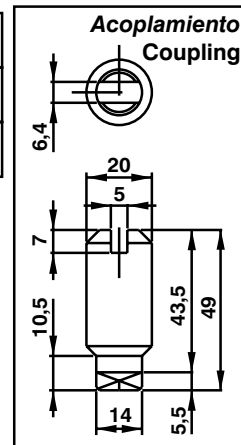
Descripción / Description	código/code
Starting switch 150A 12 or 24 V DC	ME2103 (12 V DC) ME2104 (24 V DC)
Remote control available on request	

Notes: the starting switch electric connection is provided when specifying the /S in PPC assembly code. It is not supplied when ordering spare starting switches.
P02.1/*: specify wire connection length in meter when ordering.

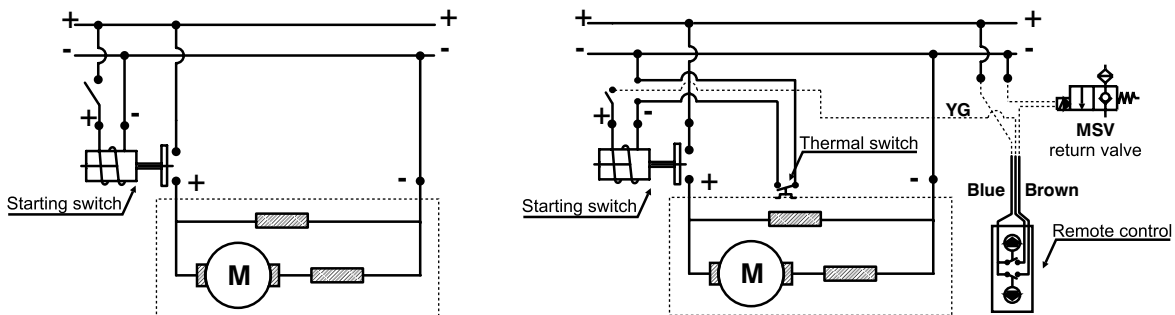
Acoplamiento / Coupling

Descripción / Description	código/code
Shaft coupling for Ø 114 DC motors	CET E36200001

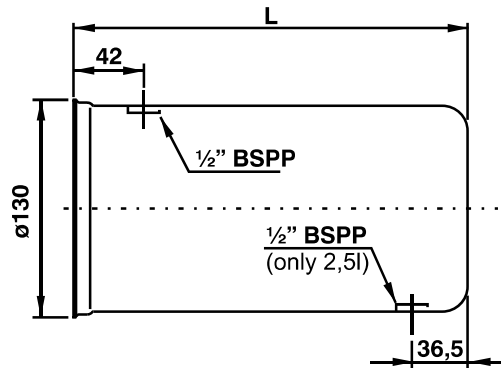
Note: the coupling is already included when specifying the motor in PPC assembly code.
X114 to be indicated only when ordering PPC with no motor, but with coupling.



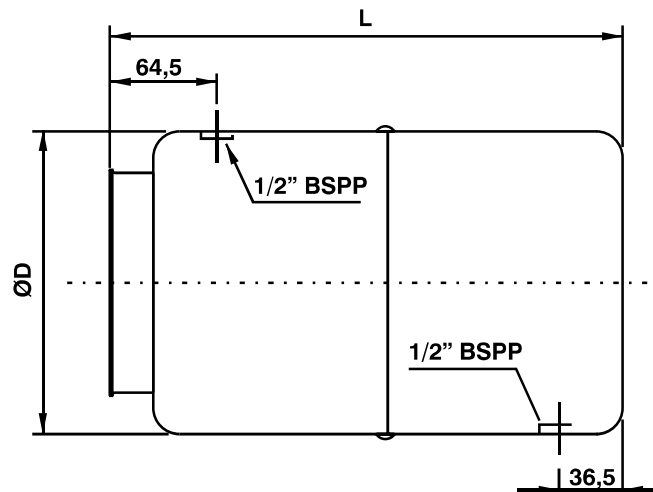
Esquema conexión eléctrica / Electric connection schemes



Depósitos cilíndricos acero / Round steel tanks



Descripción / Description	Código / Code	L	Weight
1,5 l cylindrical horizontal / vertical mounting	CET E60303001	150mm	0,75 Kg
2,5 l cylindrical horizontal / vertical mounting	CET E60303004	235mm	1,05 Kg



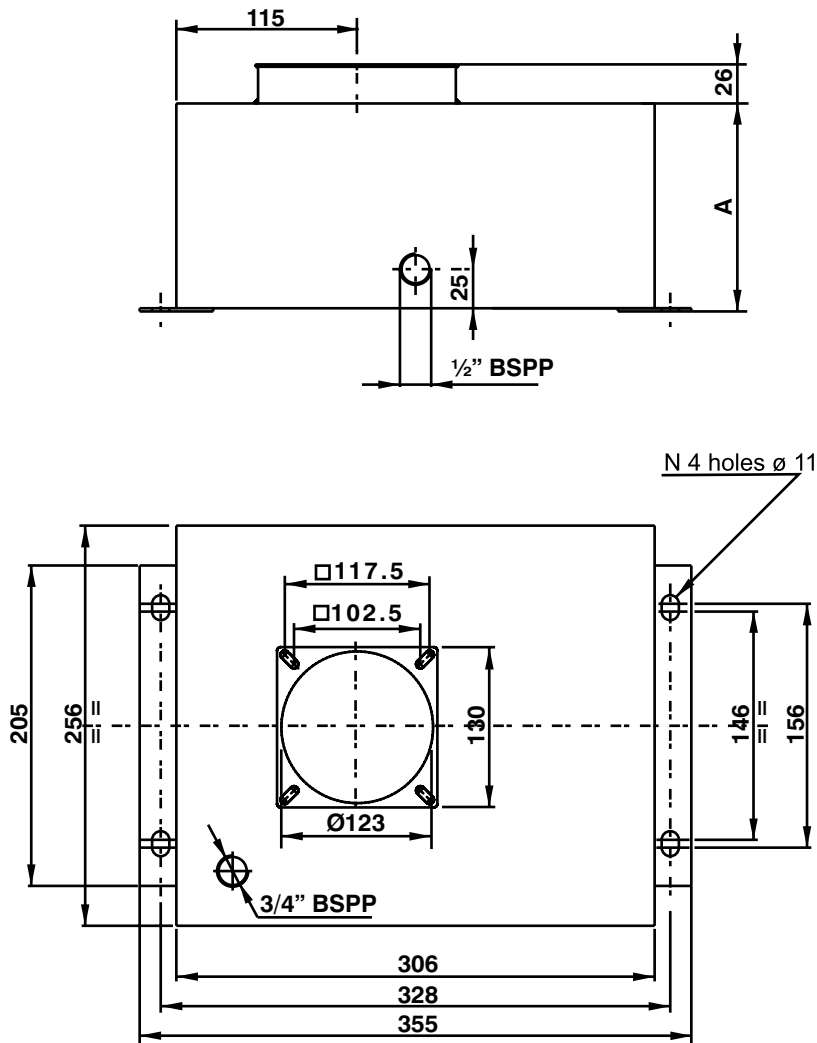
Descripción / Description	Código / Code	L	øD	Weight
5 l cylindrical horizontal / vertical mounting	CET E60303006	300	180	1,70 Kg
10 l cylindrical horizontal / vertical mounting	CET E60303011	270	220	1,90 Kg
12 l cylindrical horizontal / vertical mounting	CET E60303012	390	220	2,40 Kg

All measures are indicative in mm

Material	Fe P04-EN10130 steel sheet 1,5mm thickness
Fluido / Fluid	Mineral based oil ISO/DIN 6743/4
Working temperature	-15 / +70°C

Note: the piping kit, standard suction filter, filler/breather and discharge plug are included when specifying the tank in PPC assembly code. When ordering spare parts, only the discharge plug and filler/breather are included. See accessories tables U030.50.05-06

Depósitos rectangulares acero / Small size square welded steel tanks



Descripción / Description	Código / Code	A	Weight
8 l squared vertical mounting	CET E60303041	133 mm	3,75 Kg
15 l squared vertical mounting	CET E60303014	237 mm	5,20 Kg

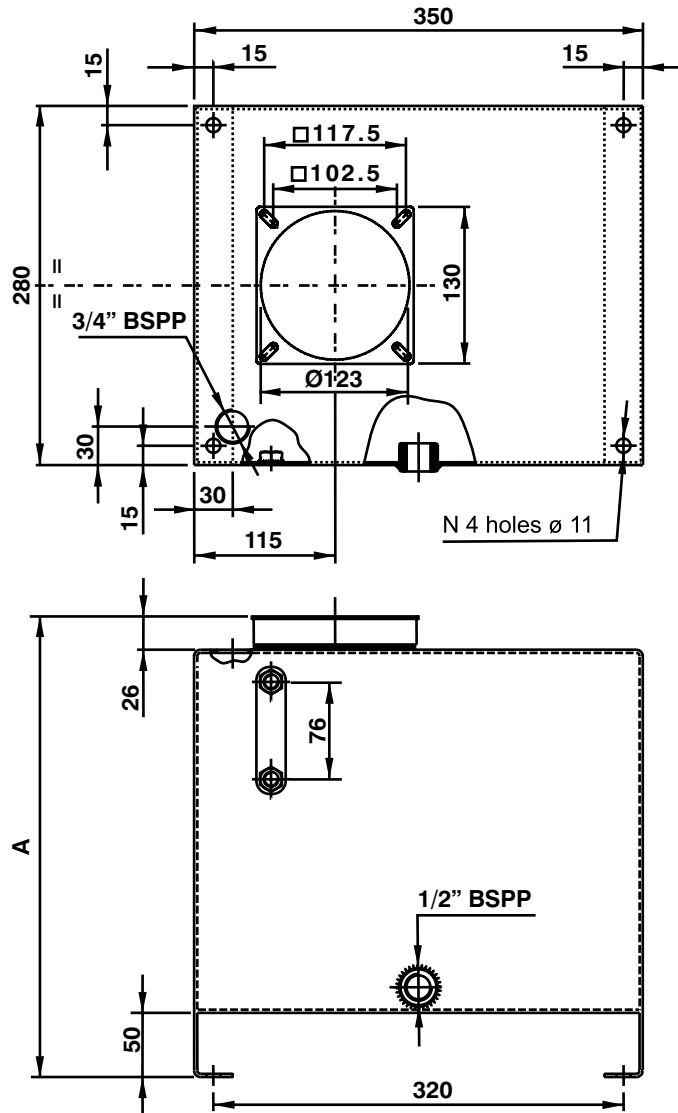
All measures are indicative in mm

Material	Fe P04-EN10130 steel sheet 1,5mm thickness
Fluido / Fluid	Mineral based oil ISO/DIN 6743/4
Working temperature	-15 / +70°C

Notes: the piping kit, standard suction strainer, filler/breather and discharge plug are included when specifying the tank in PPC assembly code.

When ordering spare tanks, only the discharge plug and filler/breather are included. See accessories tables U030.50.05-06

Depósitos rectangulares acero / Square welded steel tanks



Descripción / Description	PPC assembly code	Código / Code	A	Weight
20 l squared vertical mounting	20EV	CET E60303015	293 mm	8,00 Kg
30 l squared vertical mounting	30EV	CET E60303048	423 mm	9,40 Kg

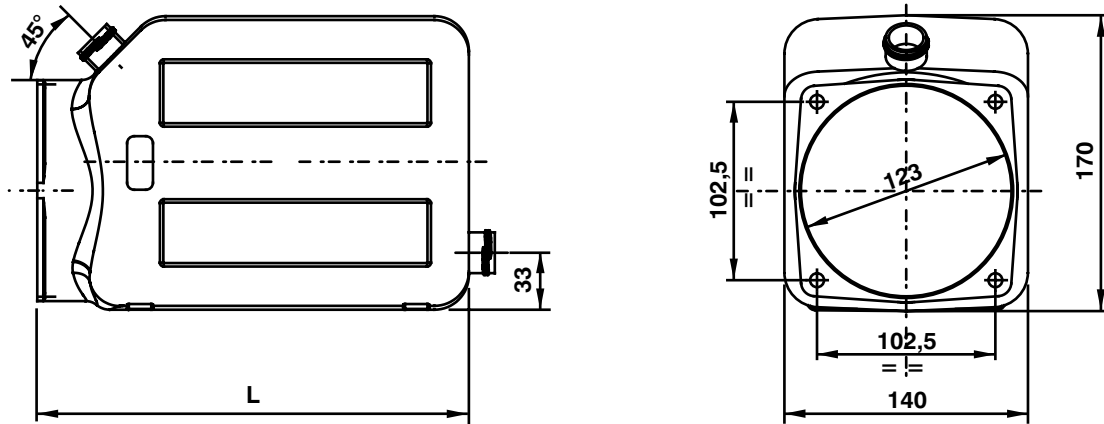
All measures are indicative in mm

Material	Fe P04-EN10130 steel sheet 1,5mm thickness
Fluido / Fluid	Mineral based oil ISO/DIN 6743/4
Working temperature	-15 / +70°C

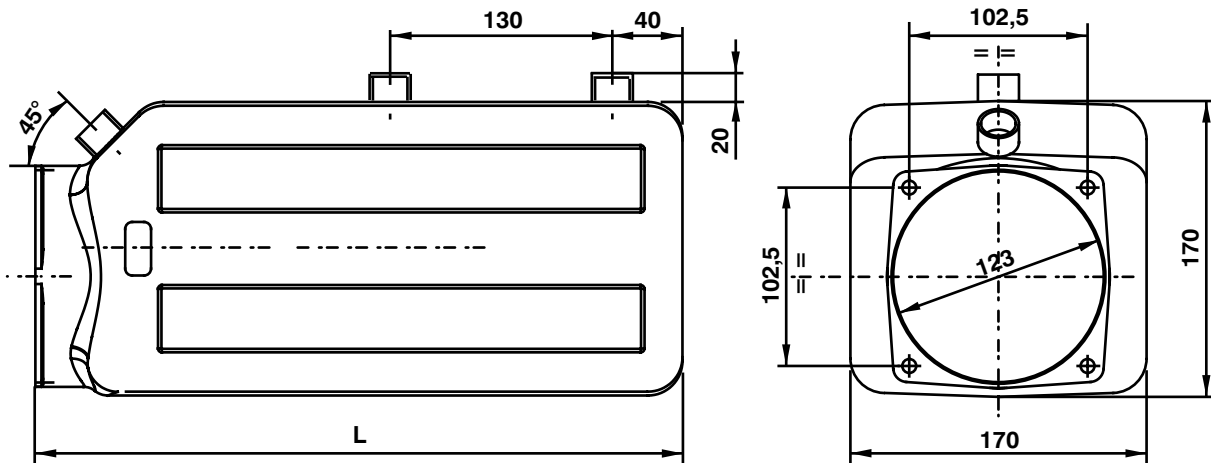
Notes: the piping kit, standard suction strainer, filler/breather, level gauge and discharge plug are included when specifying the tank in PPC assembly code. When ordering spare tanks, only the discharge plug, filler/breather and level gauge are included. See accessories table U030.50.05-06

On request special square welded tanks can be realized. An inquiry must be sent to our technical department with indication of quantities.

Depósitos rectangulares plástico / Square plastic tanks



Descripción / Description	Código / Code	L	Weight
1,5 l squared horizontal / vertical mounting	CET H60303016	135 mm	0,20 Kg
3 l squared horizontal / vertical mounting	CET H60303018	250 mm	0,35 Kg
5 l squared horizontal / vertical mounting	CET H60303020	350 mm	0,45 Kg



Descripción / Description	Código / Code	L	Weight
5 l squared horizontal / vertical mounting	CET H60303025	290 mm	0,65 Kg
8 l squared horizontal / vertical mounting	CET H60303033	375 mm	1,00 Kg

Material	PE-HD neutral / transparent color
Fluido / Fluid	Mineral based oil ISO/DIN 6743/4
Working temperature	-15 / +70°C

Notes: the piping kit, standard suction strainer and filler/breather are included when specifying the tank in PPC assembly code. When ordering spare tanks, only the filler/breather C86200002 and clamp band E60513021 are included. Discharge ports are normally plugged. See accessories table U030.50.05-06

FORMULARIO PEDIDO

Cliente	Persona de contacto	Tel.	Fax	e-mail

Fecha	Aplicación	Cantidad	Fecha entrega	Montaje
				<input type="checkbox"/> SI <input type="checkbox"/> NO

CA MOTOR	Potencia kW	Nº Fases	Nº Polos	Carga trabajo:			No motor - B14 solo kit	
		<input type="checkbox"/> 1 (Volt=____) <input type="checkbox"/> 3 (Volt=____)	<input type="checkbox"/> 2 <input type="checkbox"/> 4	<input type="checkbox"/> intermitente (S2= ____ min, S3= ____ %)	<input type="checkbox"/> continua	<input type="checkbox"/> ¿Empieza el motor con carga? <input type="checkbox"/> no <input type="checkbox"/> sí (p= ____ bar)	<input type="checkbox"/> 71	<input type="checkbox"/> 80
				<input type="checkbox"/> ¿Trabaja el motor sin carga mucho tiempo? <input type="checkbox"/> no <input type="checkbox"/> sí, ____ min			<input type="checkbox"/> 90	<input type="checkbox"/> 100

CC MOTOR	Potencia kW	Voltaje	Carga trabajo:	Opciones
			<input type="checkbox"/> intermitente (S2= ____ min, S3= ____ %)	<input type="checkbox"/> botón encendido <input type="checkbox"/> protección térmico

BOMBA cc/rev	0,85	1,15	1,3	1,6	2,1	2,6	3,2	3,7	4,2	4,9	6	7,9	9,8
	<input type="checkbox"/>	<input type="checkbox"/>	<input type="checkbox"/>	<input type="checkbox"/>	<input type="checkbox"/>	<input type="checkbox"/>	<input type="checkbox"/>	<input type="checkbox"/>	<input type="checkbox"/>	<input type="checkbox"/>	<input type="checkbox"/>	<input type="checkbox"/>	<input type="checkbox"/>

MAX. PRESIÓN	OPCIONES VÁLVULA SEGURIDAD	VÁLV. ANTICHOQUE	ESQUEMA HIDRÁULICO
____ bar		<input type="checkbox"/> si <input type="checkbox"/> no	

CONFIGURACIÓN VÁLVULAS	<input type="checkbox"/>			
	<input type="checkbox"/>			
	<input type="checkbox"/>			
	<input type="checkbox"/>			
	<input type="checkbox"/>			
	<input type="checkbox"/>			
	<input type="checkbox"/>			
	<input type="checkbox"/>			
	<input type="checkbox"/>			
	<input type="checkbox"/>			
	<input type="checkbox"/>			
	<input type="checkbox"/>			

DEPÓSITO ACERO	1,5 cilíndrico	2,5 cilíndrico	5 cilíndrico	10 cilíndrico	12 cilíndrico	8 rectangular	15 rectangular	20 rectangular	30 rectangular
	<input type="checkbox"/> horizontal <input type="checkbox"/> vertical	<input type="checkbox"/> horizontal <input type="checkbox"/> vertical	<input type="checkbox"/> horizontal <input type="checkbox"/> vertical	<input type="checkbox"/> horizontal <input type="checkbox"/> vertical	<input type="checkbox"/> horizontal <input type="checkbox"/> vertical	<input type="checkbox"/> horizontal <input type="checkbox"/> vertical	<input type="checkbox"/> vertical	<input type="checkbox"/> vertical	<input type="checkbox"/> vertical

DEPÓSITO PLÁSTICO	1,5	3	5	8
	<input type="checkbox"/> horizontal <input type="checkbox"/> vertical	<input type="checkbox"/> horizontal <input type="checkbox"/> vertical	<input type="checkbox"/> horizontal <input type="checkbox"/> vertical	<input type="checkbox"/> horizontal <input type="checkbox"/> vertical

OPCIONAL	SopORTE interior	Bloques externos y otros componentes		Placas		Otros
	<input type="checkbox"/> sí <input type="checkbox"/> no	<input type="checkbox"/> E60403001 paralelo salida port. Cant. = ____ <input type="checkbox"/> E60403010 paralelo lat. port. Cant. = ____ <input type="checkbox"/> Otros Cant. = ____		<input type="checkbox"/> E60413001 en A y B Cant. = ____ <input type="checkbox"/> E60413002 en A Cant. = ____ <input type="checkbox"/> E60413002 en B Cant. = ____		

Respondiendo a su petición de ofrecimiento

Cant.	Referencia	Precio neto unitario E

Fecha entrega:

Notas: